



SB-1248 Swanstone Shower Bench Seat Top

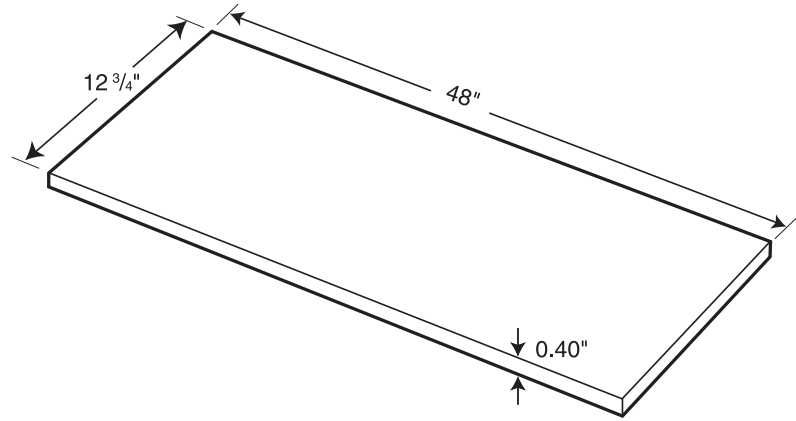
WARRANTY
Limited Lifetime – Residential
Limited 30-year – Commercial

Manufactured from Swanstone solid surface
(See page 2 for detailed information.)

Recommended for high-use traffic areas and commercial surfaces.

FEATURES

- Finished edges on both sides for installing either right or left side.
- 48-inch width fits a variety of shower sizes.
- Seat is two times thicker than wall panels.
- Reinforced solid surface means color and texture run all the way through and cannot wear away.
- Will not mold or mildew, no grout to clean.
- Compression molding means superior durability.



SPECIFICATIONS

SB-1248 Shower Bench Seat Top

Model	Part	Nominal Dimensions	Ship Wt. Lb.	Ship FedEx	Carton Dims. In.	Cu. Ft.
SB-1248	SB01248	12-3/4" x 48" (324 mm x 1219 mm)	16	FedEx	51 x 14 x 1.5	.65

Includes: One 12" x 48" shower bench seat
Packaging: Each kit is packed in an individual carton.

COLORS

Solid Colors:

- White (010)
- Bisque (018)
- Bone (037)

Aggregate Colors:

- Arctic Granite (035)
- Baby's Breath (168)
- Barley (091)
- Bermuda Sand (040)
- Canyon (124)
- Cloud Bone (126)
- Cloud White (125)
- Glacier (121)
- Golden Steppe (128)
- Gray Granite (042)
- Ice (130)
- Mountain Haze (129)

- Night Sky (012)
- Pebble (072)
- Prairie (122)
- Tahiti Desert (050)
- Tahiti Gray (053)
- Tahiti Ivory (059)
- Tahiti Matrix (058)
- Tahiti Sand (051)
- Tahiti White (011)
- Tundra (131)

Our Planet Colors

STANDARDS AND RATINGS

American Society of Testing and Materials (ASTM) E-84: Class A Flame Spread Rating

American National Standard Institute—ANSI Z124.6

International Association of Plumbing and Mechanical Officials (IAPMO)—Listed

cUPC listed—Certified to CSA Test Standard B45.5 by IAPMO

Uniform Plumbing Code (UPC)

For a complete list of tests and results see the Technical Data Sheet.

SUPPORT DOCUMENTS

Installation instructions available at swanstone.com.

MAINTENANCE AND CLEANING INFORMATION

Clean regularly with common household liquid cleaners and rinse within five minutes of application. Occasional scrubbing with abrasive cleaners ensures that the original luster will be maintained. **Do not** use "leave on" cleaning products, such as automatic spray shower cleaners. Prolonged contact with harsh chemicals could have an adverse reaction over time and discolor surfaces. **Do not** use cleaning agents that caution use on acrylic, polyester or plastics.

MADE IN USA