



TOONE
64 x 30 x 82
Zero Threshold Shower

| Drain | Model # |
|-------|--------------|
| R | LM6430BFR064 |
| L | LM6430BFL064 |

Features

- Barrier free, easy entry, wheelchair accessible threshold.
- Patented, pre-leveled base with **ArmorCore** reinforcement, and textured finish floor.
- Includes collapsible dam with end caps, stainless steel curtain rod, weighted shower curtain, chrome plated brass drain, and 2 integral shelves.
- Simple, easy 1 piece installation from front
- Factory installed white, fold-up seat with stainless steel support, and 2 stainless steel grab bars reinforced with wood backing.
- Premium, durable applied acrylic/fiberglass construction
- Attractive and easy to clean
- Meets or exceeds UPC, IPC, ANSI Z124.1, NAHB, & SBC
- Made in the USA with a lifetime limited warranty



Components Included

★ Stainless Steel Curtain Rod



★ Two Stainless Steel Grab Bars

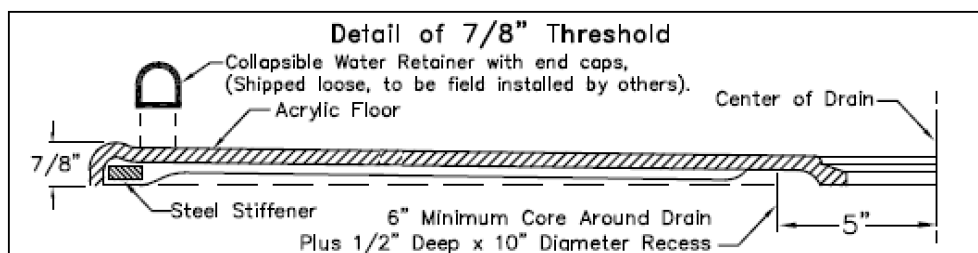


★ Chrome Plated Brass Drain

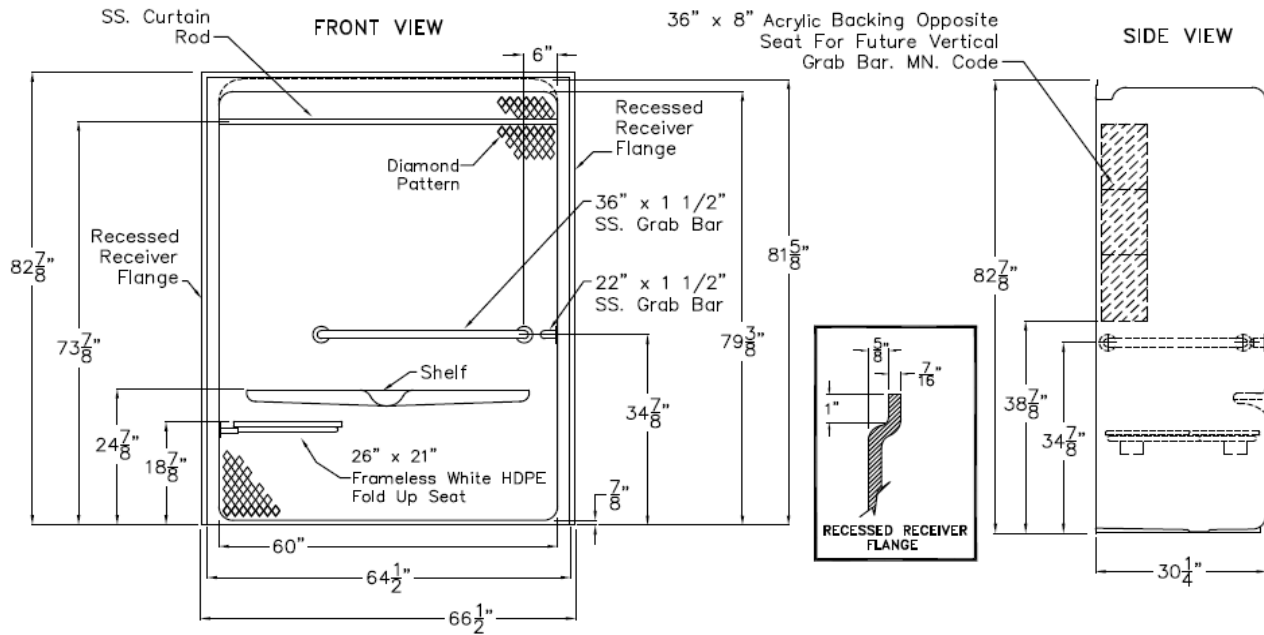


★ Padded Seat

CROSS SECTION OF THRESHOLD



SUBMITTAL DATA



Roll-In Shower Stall

This shower enclosure shall be Laurel Mountain Model LM 6430 BF molded acrylic. The unit shall be molded from a single sheet of acrylic so as not to have any seams or joints. It shall meet ANSI A117.1, IAPMOZ124-2011, ADA, FHA, BOCA, Home Innovation Research Lab, CSA B45.5-11, shall have the backside fire rating of "A" and a flame spread of less than 25, shall be designed to meet the requirements of most state and national standards on design for the disabled, including the Southern Building Code. The unit shall have inside dimensions of 60" x 30" x 80 1/2", and the outside dimensions of 66 1/2" x 30 1/4" x 82 3/4".

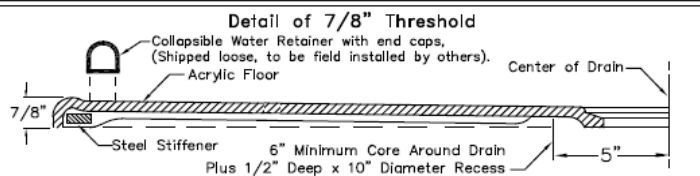
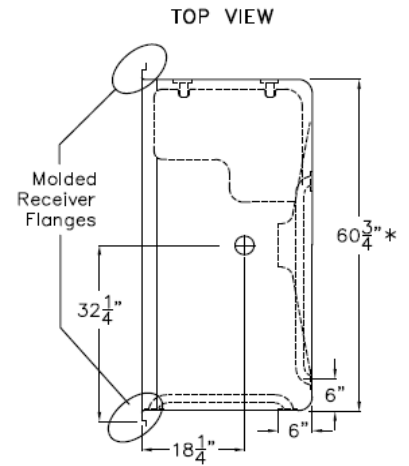
The enclosure shall be equipped with the following factory installed accessories:

- 1) One 36" x 1 1/2" diameter 18 gauge stainless steel grab bar on the back wall,
- 2) One 22" x 1 1/2" diameter 18 gauge stainless steel grab bar on the side wall, with 1 1/2" statute clearance mounted with stainless steel bolts secured from the rear with 3" x 3" 11 gauge metal backing plates,
- 3) one inch diameter stainless steel curtain rod,
- 4) Factory installed 26" x 21" frameless HDPE fold up seat,
- 5) Diamond pattern on back wall,
- 6) Recessed drywall receiver flange on both sides and along the top,
- 7) One inch diameter, 18 gauge stainless steel curtain rod,
- 8) Backing on side opposite the seat for future 24" vertical grab bar, (Bar By Others),
- 9) Premium weighted shower curtain,
- 10) Collapsible Water Retainer with end caps, (Shipped loose, field installed by others).

THIS UNIT FEATURES THE OUTSIDE DIMENSIONS OF 60 3/4" OF OVERALL WIDTH. THIS DOES NOT ALLOW FOR FULL ENCLOSURE OF THE BOLTS THAT ARE USED TO SECURE THE BARS AND SEAT IN PLACE. THE BOLT AND NUT COMBINATION SHOULD NOT PROTRUDE ANY MORE THAN 3/4" ON EITHER SIDE OF THE SHOWER WALLS. THIS MAY REQUIRE THE NEED TO NOTCH STUDS TO ALLOW BOLT CLEARANCE FOR INSTALLATION.

FOR A DRY WALL ENCLOSED FIRE WALL INSTALLATION, ADJUSTMENT OF THE WALLBOARD MAY BE NECESSARY TO PROVIDE CLEARANCE OF THE BOLT (S) WHILE MAINTAINING THE INTEGRITY OF THE DRYWALL ENCLOSED FIRE WALL ENCLOSURE.

NOTE: THIS UNIT WILL NOT ACCEPT A DOOR!



DUE TO THE NATURE OF THE MATERIALS INVOLVED, UNIT DIMENSIONS MAY VARY ± 1/2 INCH.

ROUGH IN DIMENSIONS: 64 1/2" x 30 1/4" x 82 7/8".
 * NOTE: THIS DIMENSION IS NOT TO SCALE. THIS DIMENSION INCLUDES NUTS/BOLTS/ WOOD AND HARDWARE REQUIRED FOR ASSEMBLY.

LAUREL MOUNTAIN

Drawing#: LM 6430 BF .875

Date: 5-28-07

Revised: 1-4-19

Toone