



# Saltillo

## 48 x 36 x 77

### Low Threshold Shower

Available in white

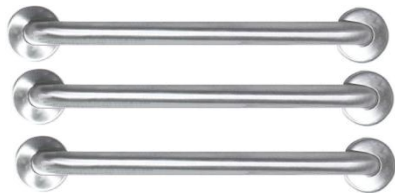
### Features

- Easy entry, low, 4" threshold
- Large integral comfort height seat (22" x 13") holds up to 500lbs
- Sturdy shower base with textured floor
- Accessory shelves (10" x 3") and foot ledge (14" x 3")
- Simple 1-piece installation with no seams, no grouting
- Accommodates a shower door
- Reinforced walls for extra strength that enables bars to be located to fit your individual needs.
- Premium, durable applied acrylic/fiberglass construction
- High Gloss 6" tile pattern with Diamond Accents
- 3 grab bars and drain included
- Attractive and easy to clean with a Limited Lifetime Warranty
- Meets or exceeds UPC, IPC, ANSI Z124.1, NAHB, HUD, FHA
- Made in the USA



### Components Included (Field Installed)

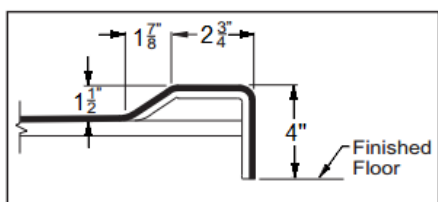
★ Three 24" Stainless Steel Grab Bars



★ Chrome Plated Brass Drain



### Low Threshold Details



### Seat

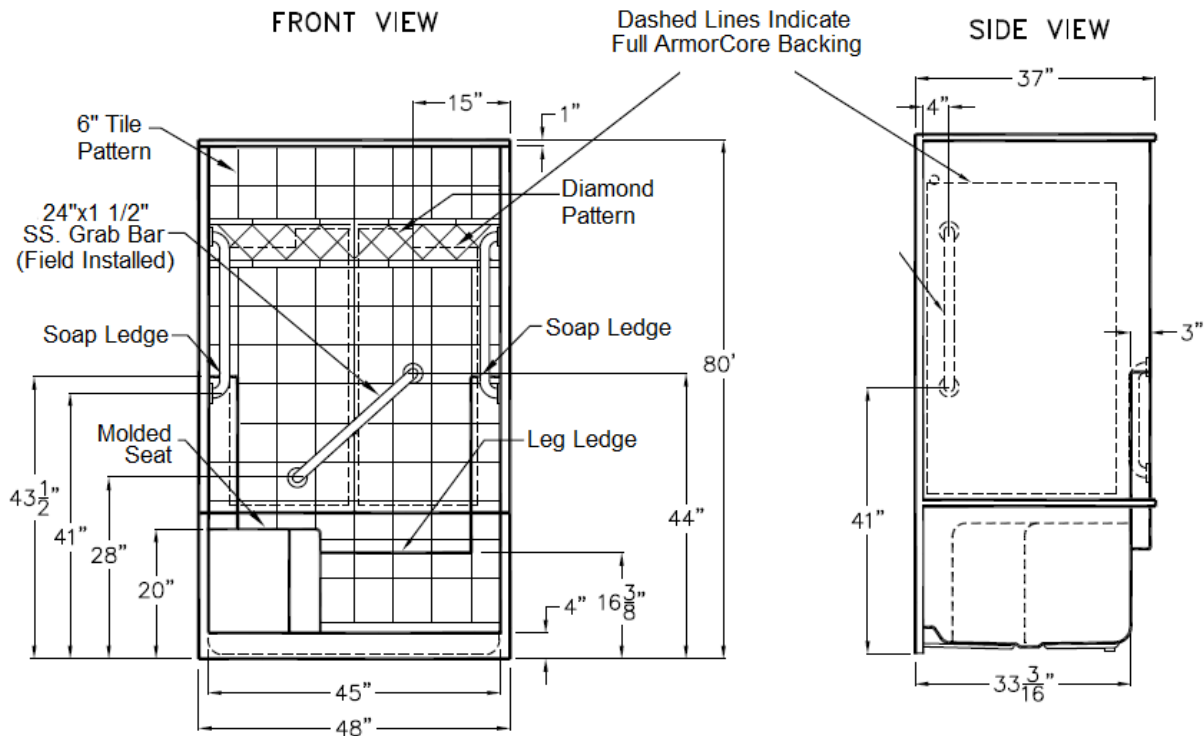
### Model #

### Item #

RH Seat w/ C Drain	LM3648SH1SR064	2525638
LH Seat w/ C Drain	LM3648SH1SL064	2525639

HANDED BY THE SEAT

Model LM3648SH1SL064  
Model LM3648SH1SR064



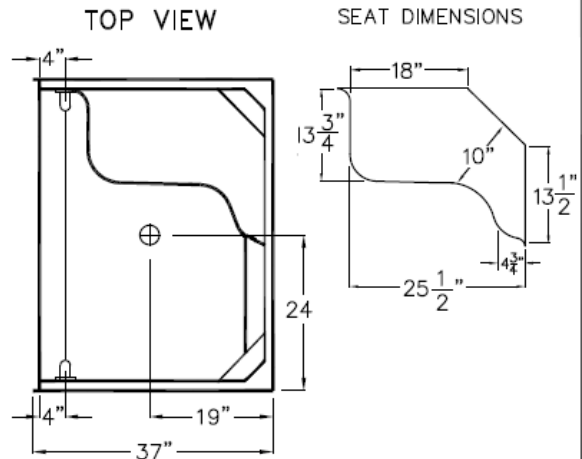
### One Piece Shower

The shower shall be model LM3648SH1S left or right drain.  
Finished surface shall be of a sanitary grade applied acrylic.  
Unit has outside dimensions of: 48" x 37" x 80".  
Approx Unit Weight: 165 lbs.

The shower shall meet: CSA B45.5, IAPMOZ124, HUD, FHA and Home Innovation Research Lab.

The enclosure shall be equipped with the following installed accessories:

- 1) Tile finish with diamond accents on walls,
- 2) Full reinforced ArmorCore backing on all walls,
- 3) 1 Piece design,
- 4) Large molded seat,
- 5) Molded soap ledges on the back wall,
- 6) Molded leg ledge,
- 7) Left or right drain location,
- 8) Brass drain fitting,
- 9) Three 24" grab bars for each side wall,
- 10) 4" threshold



HANDED BY THE SEAT.

DUE TO THE NATURE OF THE MATERIALS  
DIMENSIONS MAY VARY +/- 1/2 INCH

LAUREL MOUNTAIN

Drawing #: LM3648SH1S 4.0"

Date: 01-01-20

Saltillo

LAUREL MOUNTAIN  
26 Nesbitt Rd Suite 257, New Castle, PA 16105  
Phone: 1-800-930-0050 Fax: 1-800-930-0051 Email: sales@lmbath.com