



Gretna
48 x 36 x 84
Standard Threshold Shower

**Available in white
& Biscuit**

Features

- Easy three-piece installation
- Standard 8 1/2 " threshold
- Integral comfort height molded seat
- Sturdy shower base with textured floor and reinforcement
- Multiple accessory shelves
- Premium cast acrylic with fiberglass reinforcement
- High Gloss, attractive, and easy to clean
- Meets or exceeds UPC, IPC, ANSI Z124.1, NAHB, FHA
- Made in the USA
- Limited Lifetime warranty

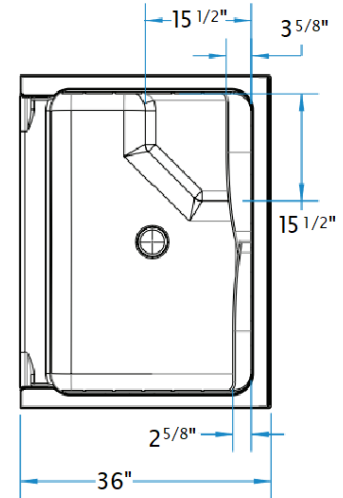
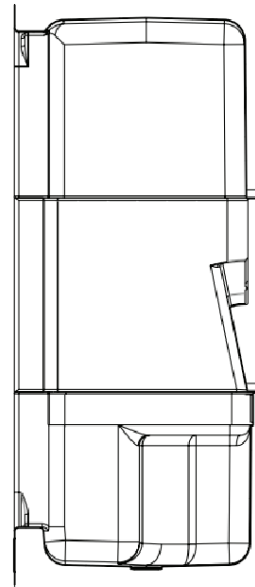
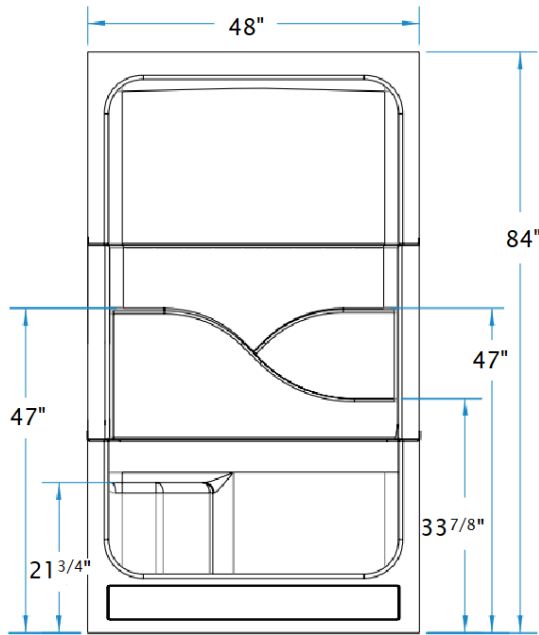


Color	Seat	Model #	Item #
White	RH Seat	A4836SH3PSBR064	3832781
White	LH Seat	A4836SH3PSBL064	3832743
Biscuit	RH Seat	A4836SH3PBR528	3832742
Biscuit	LH Seat	A4836SH3PBL528	3832744

HANDED BY SEAT

GRETNA

A4836SH3PSBR/L



FEATURES Dimensional Tolerance $\pm 3/8"$. Dimensions needed for site preparation should be measured from the unit. Laurel Mountain assumes no responsibility for preparatory work.

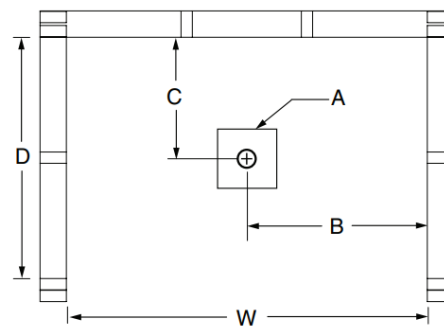
Type and Model #W	Material	Wall Finish	Pieces	Drain	Seats	Pkg. Wt.
A4836SH3PSBR/L	Cast Acrylic	Smooth Wall	3	Center	1 seat (LH or RH)	174 lbs

DIMENSIONS

Specifications	inches
Width: Overall / Net	48
Depth: Overall / Net	36 / 36
Height: Overall / Net	84
Enclosure Opening	42 x 72
Skirt Height	8 1/2
Drain Rough-In (from Back Wall)	16 7/8
Drain Rough-In (from Side Wall)	24
Drain: Diameter / Clearance	3 1/4 x 2 3/16

FRAMING DIMENSIONS inches

Type	D Depth	W Width	H Height	A Box-Out	B	C
Alcove	37	48 1/8	-	6 x 6	24	16 7/8



Toll Free: 800-930-0050
 Fax: 800-930-0051
 www.laurelmountainbath.com

LAUREL MOUNTAIN

A4836SH3PSBR/L

Date: 7/16/21

GRETNA