



DOYLE
60 x 33 3/8 x 79 1/2
Low Threshold Shower

**Available in
 white only**

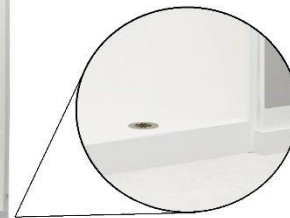
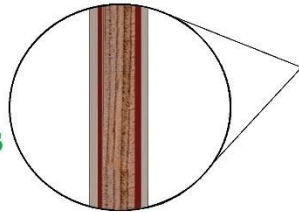
**Quick Ship in
 7 days**

Features

- Easy entry, low, 4" threshold
- Large and open bathing area
- Sturdy shower base with textured floor
- 3 Accessory shelves
- Simple, easy, 5 piece installation from front or rear
- Accommodates a shower door
- Full ArmorCore reinforced walls for extra strength that enables bars to be located to fit your individual needs.
- Premium, durable applied acrylic/fiberglass construction
- High Gloss 6" tile pattern with Diamond Accents
- Attractive and easy to clean
- Limited Lifetime warranty
- Meets or exceeds UPC, IPC, ANSI Z124.1, NAHB, HUD, FHA
- Made in the USA

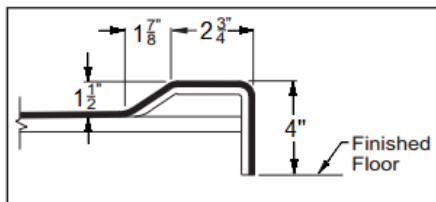


**ArmorCore
 Reinforced Walls**



**Low Step,
 Easy Entry**

Low Threshold Details



Drain

Model #

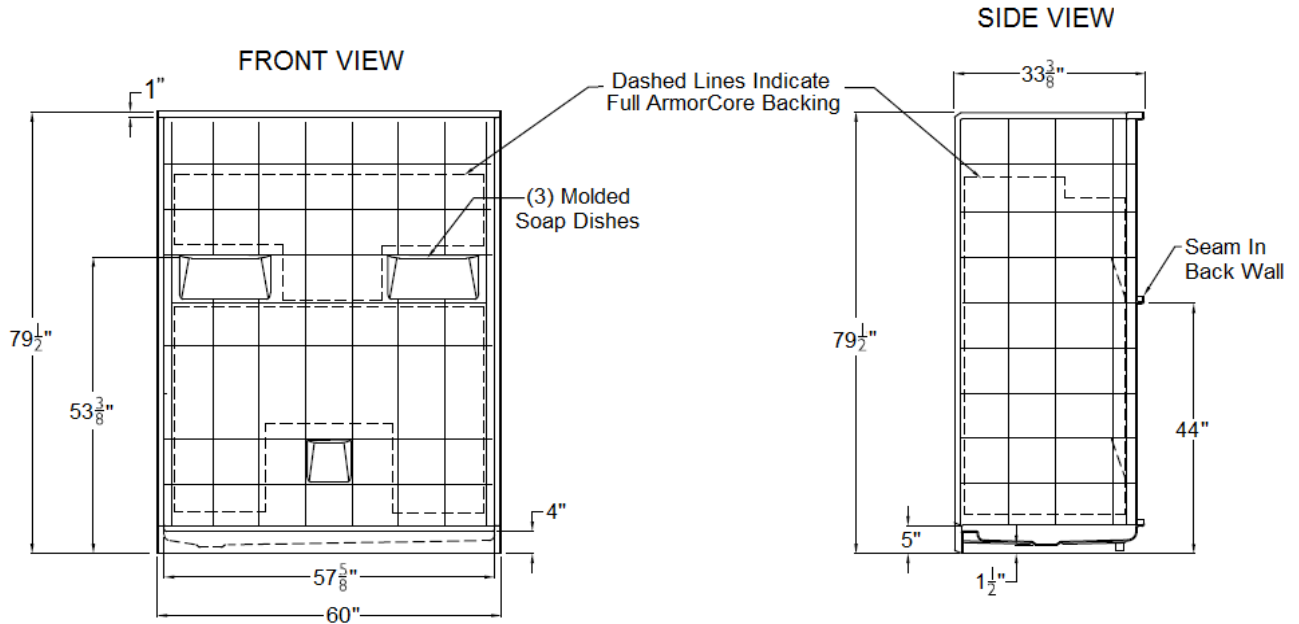
Item #

RH	LM6033SH5PR4.0064	711228
LH	LM6033SH5PL4.0064	711216

HANDED BY DRAIN

LH Model LM6033SH5PL4.0064
RH Model LM6033SH5PR4.0064

SUBMITTAL DATA



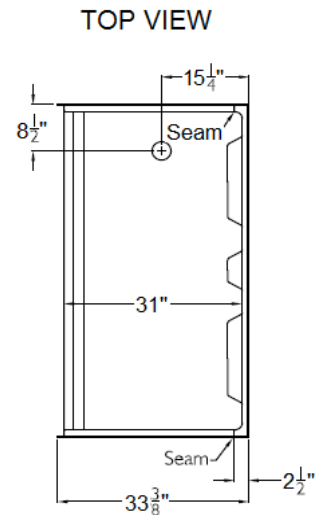
5 Piece Sectional Shower

The sectional shower shall be model LM6033 SH 5 Piece LH or RH drain. Finished surface shall be of sanitary grade applied acrylic. Unit has outside dimensions of: 60" x 33 3/8" x 79 1/2".

The five piece shower shall meet: CSA B45.5, IAPMOZ1234, HUD, FHA, Home Innovation Reseach Lab, and meet Southern Building Code requirements.

The enclosure shall be equipped with the following installed accessories:

- 1) High gloss, tile finish with textured floor,
- 2) Full ArmorCore reinforced backing on all walls,
- 3) 5 Piece sectional design,
- 4) Three Molded soap ledges on the back wall,
- 5) Seam in the back wall,
- 6) Left or right drain location,
- 7) Bass drain fitting,
- 8) 4.0" Threshold,



NOTE: UNIT SHIPPED UN-ASSEMBLED. (FIELD ASSEMBLY BY OTHERS).

DUE TO THE NATURE OF THE MATERIALS
DIMENSIONS MAY VARY +/- 1/2 INCH.

LAUREL MOUNTAIN

Drawing #: LM6033SH5P4.0"

Date: 11-13-15

Revised: 1-18-18

Doyle

LAUREL MOUNTAIN
26 Nesbitt Rd Suite 257 New Castle, PA 16105
Phone: 1-800-930-0050 Fax: 1-800-930-0051 Email: sales@lmbath.com