

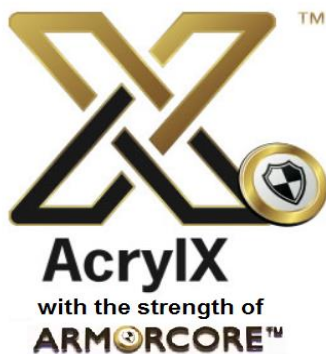


**BARTLETT I**  
**48 x 36" x 78"**  
**Zero Threshold Shower**

Drain                      Model #  
C                              LM4836BF4PC.875064

**Features**

- Barrier free, easy entry threshold.
- Patented, pre-leveled base with **ArmorCore** reinforcement, and textured finish floor.
- Includes collapsible dam with end caps, stainless steel curtain rod, weighted shower curtain, chrome plated brass drain, and 1 integral shelf.
- Simple, easy 4 piece installation from front or rear
- Accommodates a shower door
- Full wood reinforced walls for extra strength that enables bars to be located to fit your individual needs.
- Premium, durable applied acrylic/fiberglass construction
- Attractive and easy to clean
- Meets or exceeds UPC, IPC, ANSI Z124.1, NAHB, & SBC
- Made in the USA with a lifetime limited warranty

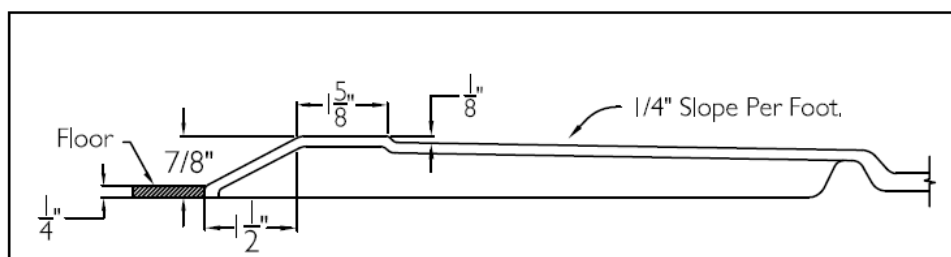


**ARMORCORE**

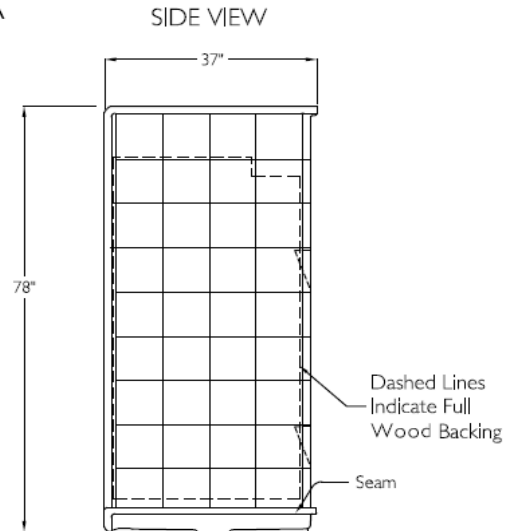
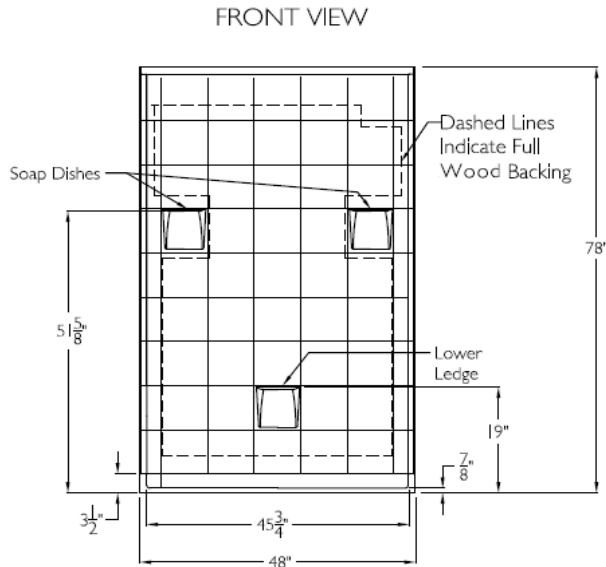
Tested to IAPMO standards to withstand more than **6X** the standard pressure without failure



**CROSS SECTION OF THRESHOLD**



SUBMITTAL DATA



4Piece Sectional BF Shower

The sectional shower shall be model LM 4836 BF 4 Piece center drain. Finished surface shall be of a sanitary grade applied Acrylic, exhibiting a minimal thickness of 15 dry mils, and a finished cured Barcoal hardness of 80-90 as tested with ASTM D-2583. Unit construction shall be of molded reinforced fiberglass with a minimum 15% fiberglass content.

Unit has outside dimensions of : 48" x 37" x 78".

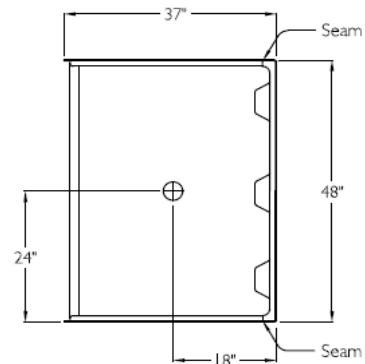
The four piece shower shall meet: CSA B45.5, IAPMOZ124, HUD, FHA, Home Innovation Research Lab, and shall meet the requirements of the Southern Building Code.

The enclosure shall be equipped with the following installed accessories:

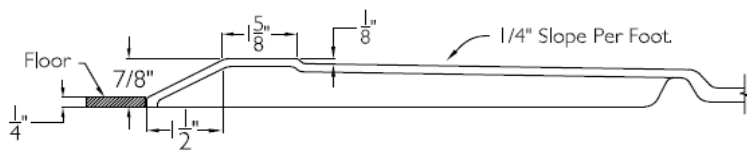
- 1) Full wood backing on walls,
- 2) Tile finish,
- 3) 4 Piece sectional design,
- 4) Molded soap ledges on the back wall,
- 5) Molded lower ledge on the back wall,
- 6) Center drain,
- 7) Brass drain fitting,
- 8) Collapsible water retainer with end caps,
- 9) 7/8" threshold,
- 10) Stainless steel curtain rod with receiver cups,
- 11) Weighted shower curtain,

NOTE: UNIT SHIPPED UN-ASSEMBLED, (FIELD ASSEMBLY BY OTHERS),

TOP VIEW



CROSS SECTION OF THRESHOLD



DUE TO THE NATURE OF THE MATERIALS DIMENSIONS MAY VARY + - 1/2 INCH.

LAUREL MOUNTAIN

Drawing #: LM 4836 BF 4P .875

Date: 11-1-0-15

Revised: 1-18-19

Bartlett I

LAUREL MOUNTAIN

26 Nesbitt Road Suite 257 New Castle, Pa. 16105

Phone: 1 800 930 0050 Fax: 1 800 930 0051 Email: sales@lmbath.com