



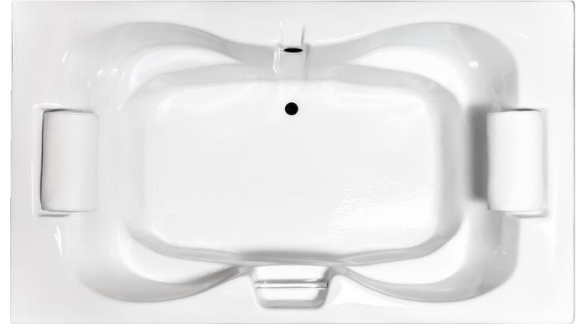
# SENECA I

## 60" x 42" Drop-In Acrylic Soaker

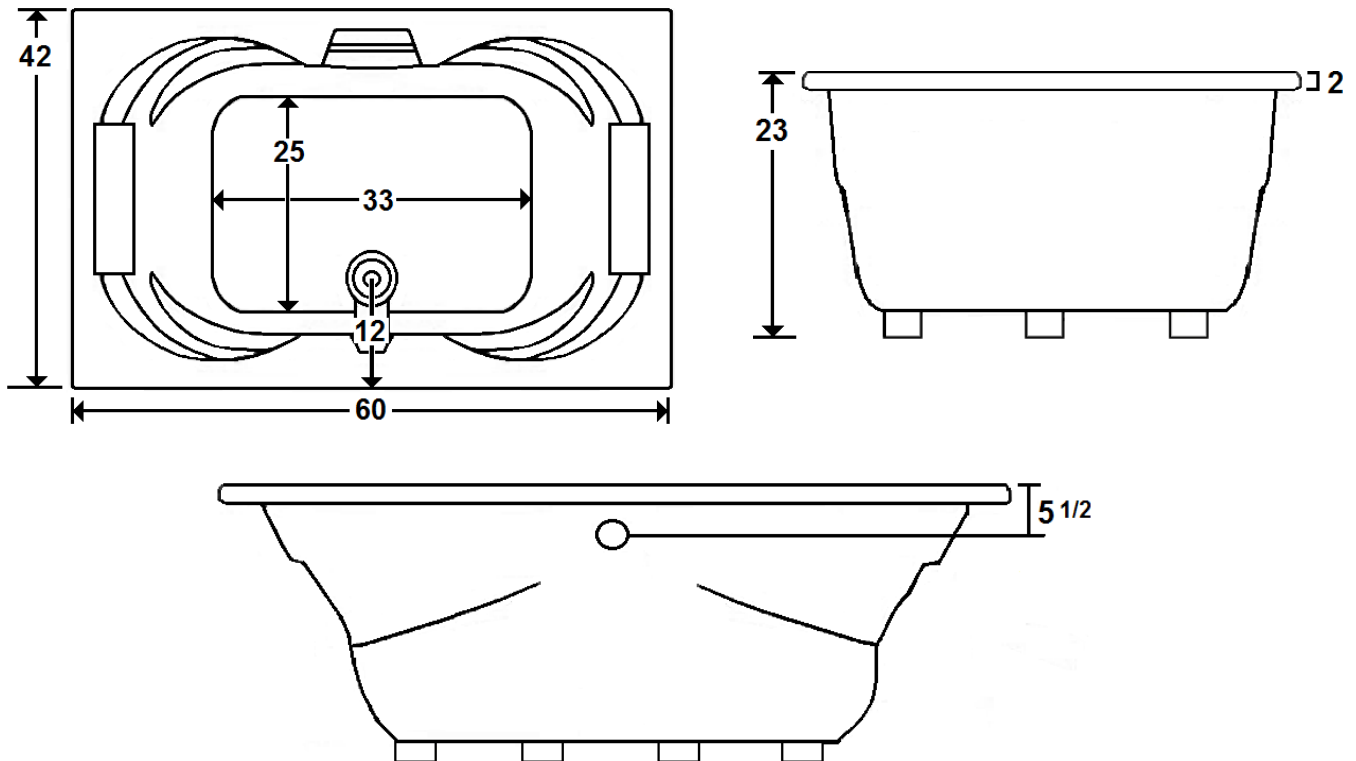
Model Number  
**4260ST064**  
Drop-In Soaker in White

### Features

- Constructed of high-gloss durable acrylic
- Pillows included
- Pre-leveled base for easy installation
- Textured floor
- Radiant Heat & Inline Heater available
- Mood lights & Music system available
- Limited Lifetime Warranty
- Made in the USA



**\*All dimensions are +/- 1/2" and subject to change without notice\***  
**Confirm specifications before installation**



### Technical Information

- Cut-Out Dimensions: 58" x 40"
- Weight: 170 lbs.
- Water Depth to Overflow: 15 3/4"
- Water Capacity: 90 gal.
- Sump Dimension: 38" x 25"

### Electrical Requirements.

- (Optional) LM305 Heater: 12.5 Amps (120V)
- Dedicated GFCI's required for each option



# SENECA I

**4260ST064**  
Drop-In Soaker in White

## AVAILABLE OPTIONS & UPGRADES

For current pricing, pictures, and descriptions of the Laurel Mountain options listed below, go to [www.lowes.com](http://www.lowes.com). Enter the model number of the option into the search bar at the top right of the page next to the magnifying glass. For additional information, visit [www.laurelmountainbath.com](http://www.laurelmountainbath.com) or call Laurel Mountain customer service at 800-930-0050.

### Therapeutic

#### HEATERS

**LM305 Inline Heater**

**LM302 Warm Comfort Radiant Heat**

#### OTHER THERAPIES (select one)

**LM522 Chromatherapy Mood Light**

**LM525 Wāv Music. Vibe. Lights**

### Accessories

#### **CABLE OPERATED DRAINS**

LM200 Chrome

LM210 White

LM201 Brushed Nickel

LM211 Biscuit

LM202 Bronze

### Design / Construction

**LM542 Plastic Flange**

**LM557 Skirt (drain side)**

**LM548 Flange (drain side)**

**LM558 Skirt (non-drain side)**

**LM549 Flange (non-drain side)**

## INSTALLATION

Install this unit according to the Owner's Manual. The Owner's manual can be found at [www.laurelmountainbath.com](http://www.laurelmountainbath.com). Select "Resources" at the top of the homepage, then click on "Literature and Manuals". Scroll down the page to the Owner's Manual section then click on the "Whirlpool, Air Bath, Combo Bath" document.