



# SENECA I

## 60" x 42" Drop-In Acrylic Air Bath

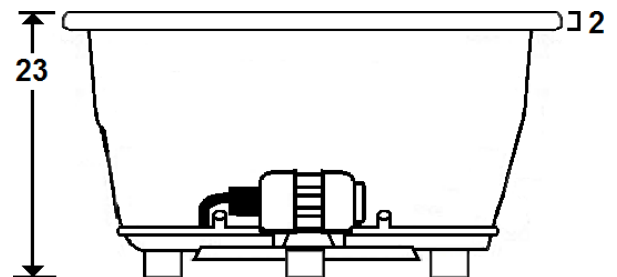
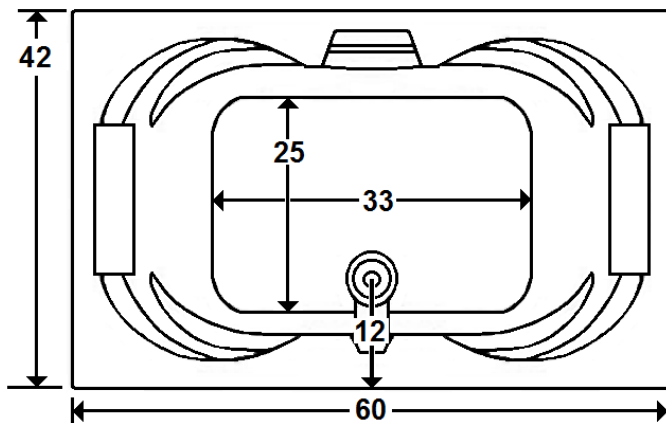
Model Number  
**4260STA064**  
Drop-In Air Bath in White

### Features

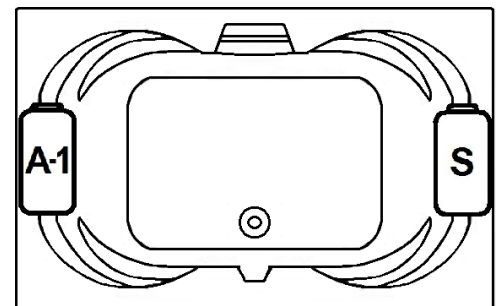
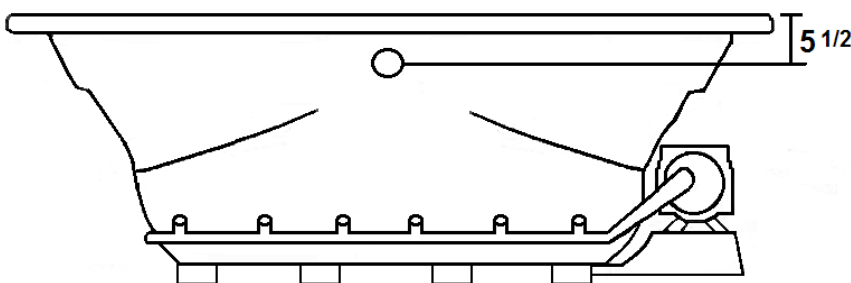
- 24 high output later air jets & Pillow included
- 12 Amp variable speed blower
- Constructed of high-gloss durable acrylic
- Pre-leveled base for easy installation
- Automatic purge cycle with timer
- Radiant Heat & Heater available
- Mood lights & Music system available
- Made in the USA



**\*All dimensions are +/- 1/2" and subject to change without notice\***  
**Confirm specifications before installation**



Standard (S) Pump Location and Alternate (A-1) Pump locations.



### Technical Information

- Cut-Out Dimensions: 58" x 40"
- Weight: 170 lbs.
- Water Depth to Overflow: 15 3/4"
- Water Operating Level: NA
- Water Capacity: 90 gal.
- Sump Dimension: 38" x 25"

### Electrical Requirements.

- Standard Blower: 12 Amps
- (Optional) LM305 Heater: 12.5 Amps
- Dedicated GFCI's required for each option



# SENECA I

4260STA064  
Drop-In Air Bath in White

## AVAILABLE OPTIONS & UPGRADES

For current pricing, pictures, and descriptions of the Laurel Mountain options listed below, go to [www.lowes.com](http://www.lowes.com). Enter the model number of the option into the search bar at the top right of the page next to the magnifying glass. For additional information, visit [www.laurelmountainbath.com](http://www.laurelmountainbath.com) or call Laurel Mountain customer service at 800-930-0050.

### Therapeutic

#### HEATERS

LM305 Inline Heater

LM302 Warm Comfort Radiant Heat

#### OTHER THERAPIES (select one)

LM522 Chromatherapy Mood Light

LM525 Wāv Music. Vibe. Lights

### Accessories

#### **CABLE OPERATED DRAINS**

LM200 Chrome

LM210 White

LM201 Brushed Nickel

LM211 Biscuit

LM202 Bronze

### Design / Construction

LM542 Plastic Flange

LM545 A-1 Pump Location

LM548 Flange (drain side)

LM557 Skirt (drain side)

LM549 Flange (non-drain side)

LM558 Skirt (non-drain side)

## INSTALLATION

Install this unit according to the Owner's Manual. The Owner's manual can be found at [www.laurelmountainbath.com](http://www.laurelmountainbath.com). Select "Resources" at the top of the homepage, then click on "Literature and Manuals". Scroll down the page to the Owner's Manual section then click on the "Whirlpool, Air Bath, Combo Bath" document.