



# MERCER III

## 72" x 36" Drop-In Acrylic Tub

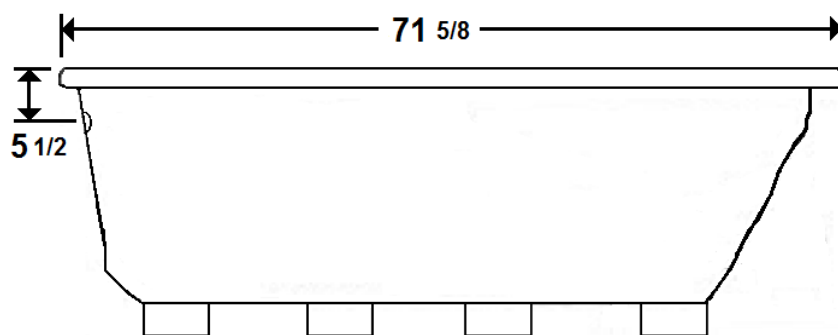
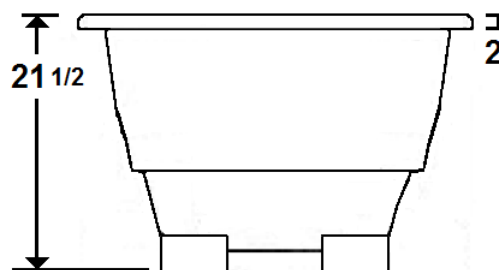
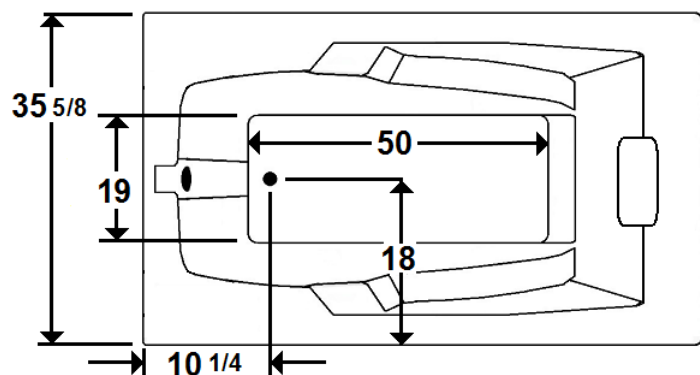
Model Number  
**3672MT064**  
Drop-In Drain Soaker in White

### Features

- Constructed of high-gloss durable acrylic
- Pillow included
- Pre-leveled base for easy installation
- Can be installed as an undermount
- Textured floor
- Radiant Heat & Inline Heater available
- Mood lights & Music system available
- Limited Lifetime Warranty
- Made in the USA



**\*All dimensions are +/- 1/2" and subject to change without notice\***  
**Confirm specifications before installation**



### Technical Information

- Cut-Out Dimensions: 69 5/8" x 33 5/8"
- Weight: 110 lbs.
- Water Depth to Overflow: 15"
- Water Capacity: 71 gal.
- Sump Dimension: 50" x 19"

### Electrical Requirements (If ordered)

- (Optional) LM305 Heater: 12.5 Amps
- Dedicated GFCI's required for each option



# MERCER III

3672MT064  
Drop-In Drain Soaker in White

## AVAILABLE OPTIONS & UPGRADES

For current pricing, pictures, and descriptions of the Laurel Mountain options listed below, go to [www.lowes.com](http://www.lowes.com). Enter the model number of the option into the search bar at the top right of the page next to the magnifying glass. For additional information, visit [www.laurelmountainbath.com](http://www.laurelmountainbath.com) or call Laurel Mountain customer service at 800-930-0050.

### Therapeutic

#### HEATERS

LM305 Inline Heater

LM302 Warm Comfort Radiant Heat

#### OTHER THERAPIES (select one)

LM522 Chromatherapy Mood Light

LM525 Wāv Music. Vibe. Lights

### Accessories

#### CABLE OPERATED DRAINS

LM200 Chrome

LM201 Brushed Nickel

LM202 Bronze

LM210 White

LM211 Biscuit

#### 8" GRAB BARS

LM230 White

LM231 Biscuit

### Design / Construction

LM540 Tile Flange (RH)

LM541 Tile Flange (LH)

LM542 Plastic Flange

LM545 A-1 Pump Loc

LM546 A-2 Pump Loc

LM555 Skirt (RH drain)

LM556 Skirt (LH drain)

## INSTALLATION

Install this unit according to the Owner's Manual. The Owner's manual can be found at [www.laurelmountainbath.com](http://www.laurelmountainbath.com). Select "Resources" at the top of the homepage, then click on "Literature and Manuals". Scroll down the page to the Owner's Manual section then click on the "Whirlpool, Air Bath, Combo Bath" document.