



Markham

60" x 60" Drop-In Acrylic Corner Air Bath

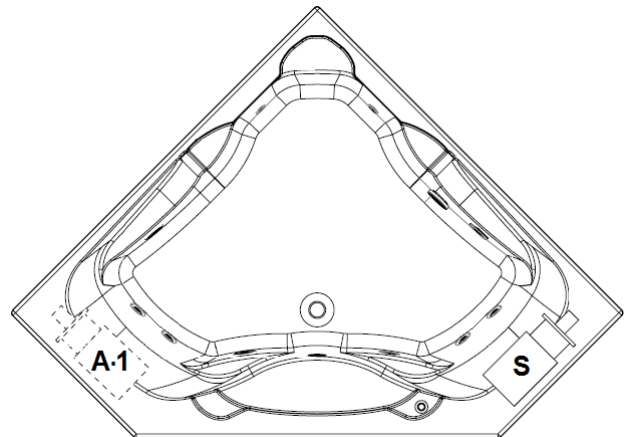
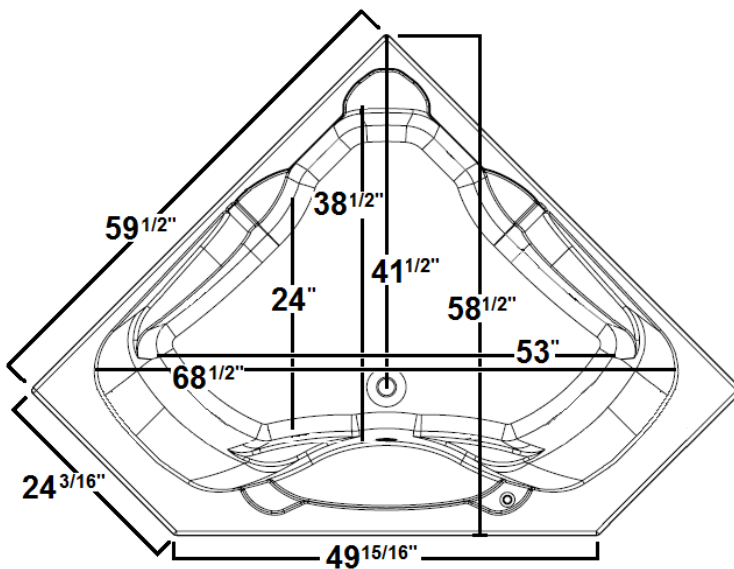
Model Number
6060MTA064
Drop-In Air Bath in White

Features

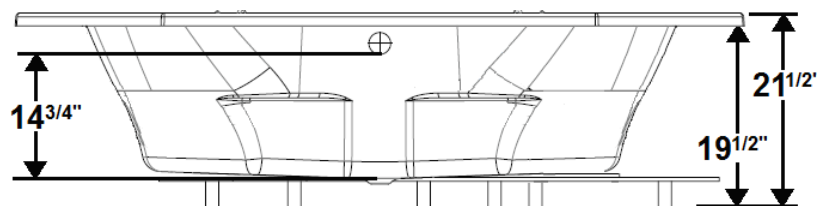
- 20 high output later air jets
- Color-matched trim
- 12 Amp variable speed blower
- Pillow included
- Constructed of high-gloss durable acrylic
- Automatic purge cycle with timer
- Heaters available – LM305
- Mood light available – LM522
- Pre-leveled base for easy installation
- Made in the USA



All dimensions are +/- 1/2" and subject to change without notice
Confirm specifications before installation



Standard (S) Pump Location
and (A-1) Pump Location



Technical Information

- Weight: 146 lbs.
- Water Depth to Overflow: 14 3/4"
- Water Capacity: 85 gal.
- Sump Dimension: 53" x 24"

Electrical Requirements.

- Standard Blower: 12 Amps
- (Optional) LM305 Heater: 12.5 Amps
- Dedicated GFCI's required for each option

Air Bath

Thousands of warm air bubbles provide an invigorating and yet relaxing, light, full body massage. The warm air movement increases blood circulation, soothes muscles and produces a feeling of well-being.

Laurel Mountain enables you to enhance your bathing experience by offering a broad range of options to customize your bath. The options available on this bath are shown below.

AVAILABLE OPTIONS & UPGRADES

For Pricing, visit the “Help” page at www.laurelmountainwhirlpools.com. Download the Price book. For pictures and descriptions of options, go to www.laurelmountainwhirlpools.com and click “options” tab found at the bottom of the website.

Therapeutic

LM305 12.5 Amp Water Heater	BACK MASSAGE SYSTEMS	
LM522 Chromatherapy	LM505 Chrome	LM509 White
	LM506 Brushed Nickel	LM510 Biscuit
	LM507 Bronze	

Accessories

CABLE OPERATED DRAINS		
LM200 Chrome	LM201 Brushed Nickel	LM202 Bronze
LM210 White	LM211 Biscuit	

Design / Construction

LM542 Plastic Flange	LM44 Int. Corner Flange	LM545 A-1 Pump Loc
-----------------------------	--------------------------------	---------------------------

INSTALLATION

Install this unit according to the Owner’s Manual. The Owner’s manual can be found by visiting the “Help” page at www.laurelmountainwhirlpools.com. Select “Installation” on the right side of the page. Then click on the “Colony Owner’s Manual”.