



# FARRELL 5

## 72" x 42" Drop-In Acrylic Whirlpool

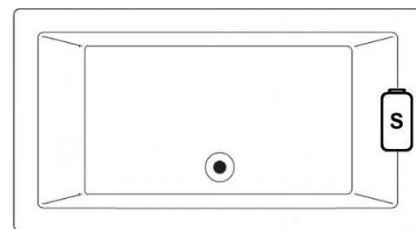
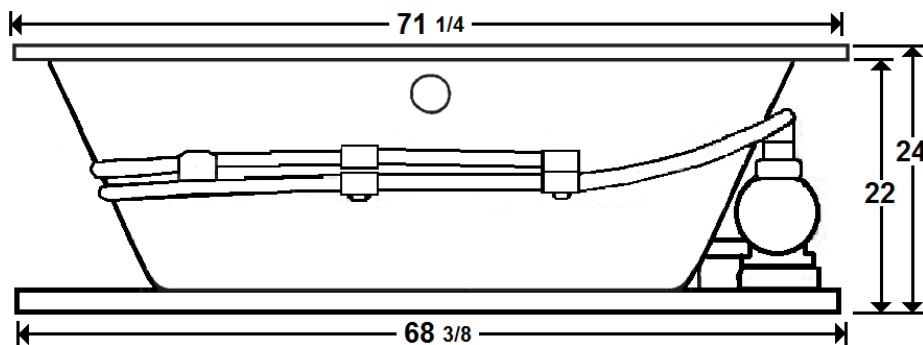
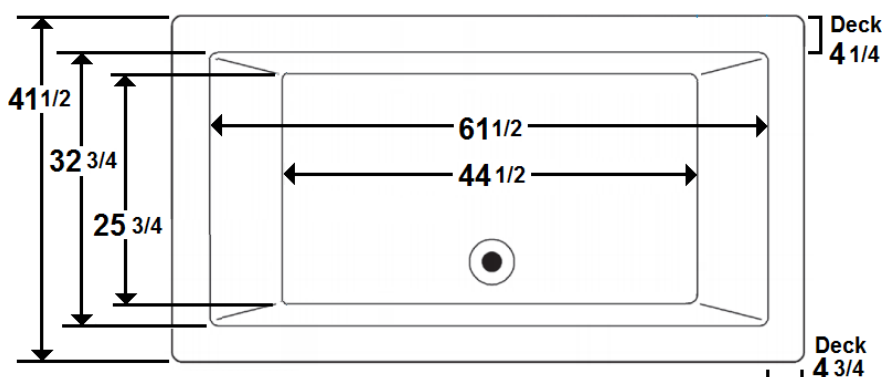
Model Number  
**7242FW064**  
Drop-In Whirlpool in White

### Features

- Color-matched jet trim included
- 10 Self draining, adjustable hydrotherapy jets
- 3-Speed control for the 13 Amp pump
- Constructed of high-gloss durable acrylic
- Pre-leveled base for easy installation
- Radiant Heat & Inline Heater available
- Mood lights & Music system available
- Silent Pump upgrade available
- Can be installed as an undermount
- Made in the USA



**\*All dimensions are +/- 1/2" and subject to change without notice\***



### Technical Information

- Weight: 149 lbs.
- Water Depth to Overflow: 17 3/4"
- Water Operating Level:
- Water Capacity: 163 gal
- Sump Dimension: 61 1/2" x 44 1/2"

### Electrical Requirements.

- Standard Pump: 13 Amps
- (Optional) LM300 Heater: 12 Amps
- (Optional) LM320 Silent Pump: 11 Amps
- (Optional) LM509 Back Massage: 5 Amps
- Dedicated GFCI's required for each option



# FARRELL 5

7242FW064

Center Drain Whirlpool in White

## AVAILABLE OPTIONS & UPGRADES

For current pricing, pictures, and descriptions of the Laurel Mountain options listed below, go to [www.lowes.com](http://www.lowes.com). Enter the model number of the option into the search bar at the top right of the page next to the magnifying glass. For additional information, visit [www.laurelmountainbath.com](http://www.laurelmountainbath.com) or call Laurel Mountain customer service at 800-930-0050.

### Therapeutic

#### HEATERS (select one)

**LM300 Inline Heater**

**LM320 Whisper Flow Silent Pump & Heater**

**LM302 Warm Comfort Radiant Heat** \*can be ordered w/ the Inline Heater or Silent Pump

**BACK JETS – Two extra back jets on the same backrest** LM500

**BACK MASSAGE SYSTEMS** \*not compatible with the Radiant Heat

LM505 Chrome    LM506 Brushed Nickel    LM507 Bronze    LM509 White    LM510 Biscuit

#### OTHER THERAPIES (select one)

**LM522 Chromatherapy Mood Light**

**LM525 Wāv Music. Vibe. Lights**

### Accessories

#### **WHIRLPOOL TRIM KITS**

LM101 Chrome

LM102 Brushed Nickel

LM103 Bronze

#### **CABLE OPERATED DRAINS**

LM200 Chrome

LM201 Brushed Nickel

LM202 Bronze

LM210 White

LM211 Biscuit

#### **8” GRAB BARS**

LM230 White

LM231 Biscuit

**LM335 Ozonator  
(Sanitizing System)**

### Design / Construction

**LM542 Attachable Flange**

## INSTALLATION

Install this unit according to the Owner’s Manual. The Owner’s manual can be found at [www.laurelmountainbath.com](http://www.laurelmountainbath.com). Select “Resources” at the top of the homepage, then click on “Literature and Manuals”. Scroll down the page to the Owner’s Manual section then click on the “Whirlpool, Air Bath, Combo Bath” document.