



# DUAL CORNER PLUS

## 60" x 60" Drop-In Acrylic Soaker

Model Number  
**6060DPTR064**  
 Right Hand Drain Soaker in White  
**6060DPTL064**  
 Left Hand Drain Soaker in White

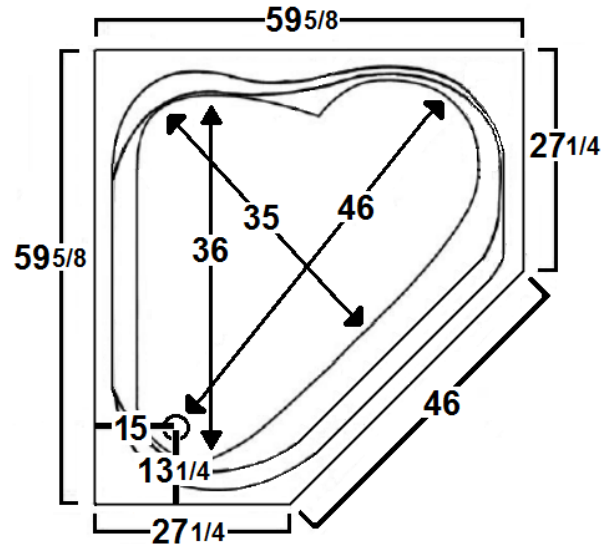
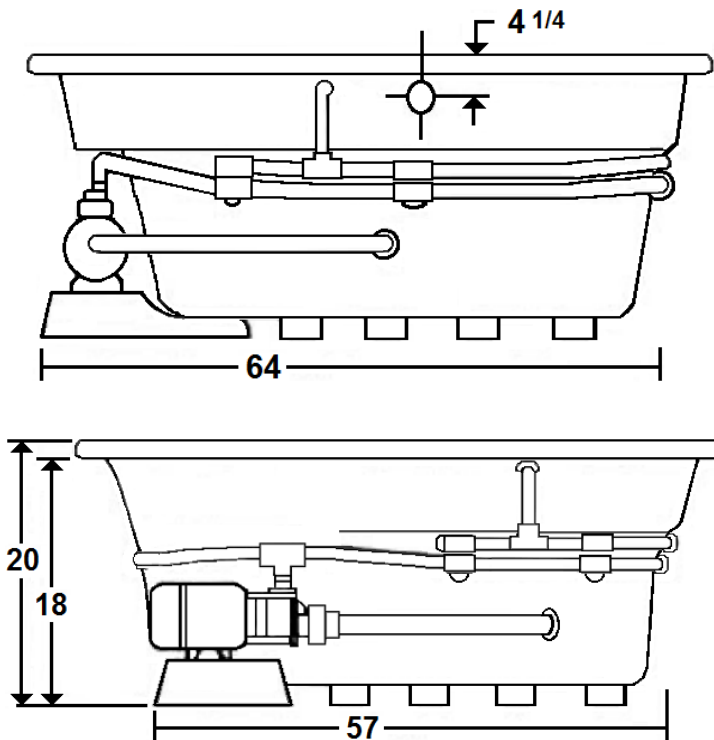
### Features

- Constructed of high-gloss durable acrylic
- Pre-leveled base for easy installation
- Textured floor
- Heater available – LM305
- Mood light available – LM522
- Made in the USA



**\*All dimensions are +/- 1/2" and subject to change without notice\***

**Confirm specifications before installation**



### Technical Information

- Weight: 170 lbs.
- Water Depth to Overflow:  $13\frac{3}{4}$ "
- Water Operating Level: NA
- Water Capacity: 78 gal.
- Sump Dimension: 46" x 35"

### Electrical Requirements.

- (Optional) LM305 Heater: 12.5 Amps
- Dedicated GFCI's required for each option

\*Cut-Out Dimensions: Use the outer dimensions shown above and come in 1" on all sides.

# DUAL CORNER PLUS

**6060DPTR064**

Right Hand Drain Soaker in White

**6060DPTL064**

Left Hand Drain Soaker in White

## Acrylic Tub

This Traditional style drop in tub includes a sloped backrest, integral arm rests and removable pillow. Other standard features include a textured floor, and premium reinforcement. This tub is made in the USA and is available in white, bone, biscuit, almond, and linen.

Laurel Mountain enables you to enhance your bathing experience by offering a broad range of options to customize your bath. The options available on this bath are shown below.

## AVAILABLE OPTIONS & UPGRADES

For Pricing, visit the “Help” page at [www.laurelmountainwhirlpools.com](http://www.laurelmountainwhirlpools.com). Download the Price book. For pictures and descriptions of options, go to [www.laurelmountainwhirlpools.com](http://www.laurelmountainwhirlpools.com) and click “options” tab found at the bottom of the website.

### Therapeutic

**LM305 12.5 Amp Water Heater (120V)**

**LM522 Chromatherapy Mood Light**

### Accessories

#### **CABLE OPERATED DRAINS**

LM200 Chrome

LM210 White

LM201 Brushed Nickel

LM211 Biscuit

LM202 Bronze

#### **8” GRAB BARS**

LM230 White

LM231 Biscuit

### Design / Construction

**LM542 Attachable Flange**

**LM544 Integral Flange**

## INSTALLATION

Install this unit according to the Owner’s Manual. The Owner’s manual can be found by visiting the “Help” page at [www.laurelmountainwhirlpools.com](http://www.laurelmountainwhirlpools.com). Under “Relevant Links” on the left side of the page, click “Owner’s Manual”. Then click “Colony Owner’s Manual”.