



# CREWE 2

## 74" x 44" Drop-In Acrylic Combo Bath

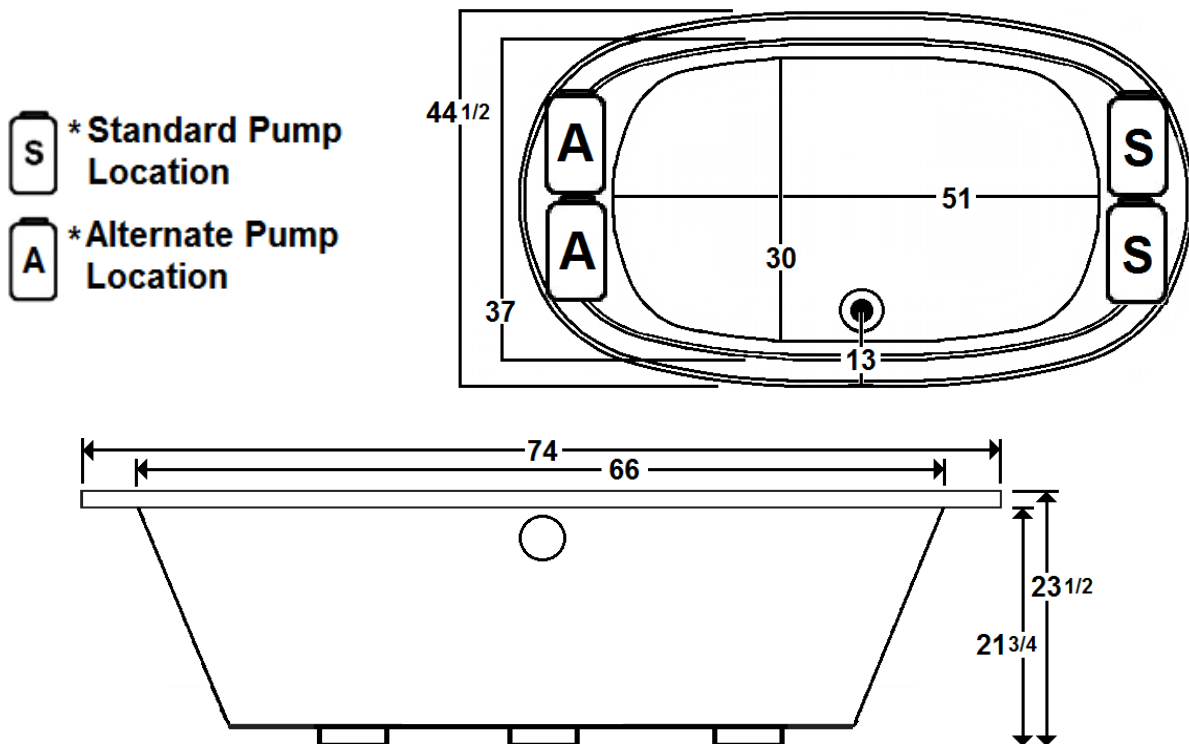
Model Number  
**7444CWA064**  
Drop-In Combo Bath in White

### Features

- Color-matched jet trim
- 10 adjustable hydrotherapy jets
- 24 high output lateral air jets
- Constructed of high-gloss durable acrylic
- 3-Speed control for the 13.0 Amp pump
- 12.0 Amp variable speed blower
- Mood light included
- Inline heater available – LM300
- Pre-leveled base for easy installation
- Can be installed as an undermount
- Made in the USA



**\*All dimensions are +/- 1/2" and subject to change without notice\***



### Technical Information

- Weight: 185 lbs.
- Water Depth to Overflow: 17 1/2"
- Water Operating Level:
- Water Capacity: 128 gal.
- Sump Dimension: 51" x 30"

### Electrical Requirements

- Standard Pump: 13.0 Amps
- Standard Blower: 12.0 Amps
- (Optional) LM300 Heater: 12 Amps
- Dedicated GFCI's required for each option

# CREWE 2

7444CWA064  
Drop-In Combo Bath in White

## Combo Bath

Experience a deep tissue, high intensity whirlpool massage, or a light, relaxing, gentle full body air massage or anything in between. Enjoy the feeling of well-being, while obtaining better blood circulation, improved flexibility, soothed muscles and reduced tension

Laurel Mountain enables you to enhance your bathing experience by offering a broad range of options to customize your bath. The options available on this bath are shown below.

## AVAILABLE OPTIONS & UPGRADES

For Pricing, visit the “Help” page at [www.laurelmountainwhirlpools.com](http://www.laurelmountainwhirlpools.com). Download the Price book. For pictures and descriptions of options, go to [www.laurelmountainwhirlpools.com](http://www.laurelmountainwhirlpools.com) and click “options” tab found at the bottom of the website.

### Therapeutic

<b>LM300 Inline Heater</b>	<b>BACK MASSAGE SYSTEMS</b>	
<b>LM515 Neck Massage Pillow</b>	LM505 Chrome	LM509 White
	LM506 Brushed Nickel	LM510 Biscuit
	LM507 Bronze	

### Accessories

<b>WHIRLPOOL TRIM KITS</b>	<b>CABLE OPERATED DRAINS</b>	<b>LM335 Ozonator (Sanitizing System)</b>
LM101 Chrome	LM200 Chrome	
LM102 Brushed Nickel	LM201 Brushed Nickel	
LM103 Bronze	LM202 Bronze	
	LM210 White	
	LM211 Biscuit	

### Design / Construction

<b>LM545 A-1 Pump Loc</b>
---------------------------

## INSTALLATION

Install this unit according to the Owner’s Manual. The Owner’s manual can be found by visiting the “Help” page at [www.laurelmountainwhirlpools.com](http://www.laurelmountainwhirlpools.com). Select “Installation” on the right side of the page. Then click on the “Colony Owner’s Manual”.