



Standard Sectional Installation Instructions

Gelcoat & Solid Surface Bathware

Tools you might need for proper installation

- Galvanized Nails or Screws
- Large Level
- Hammer or Screw Gun
- Shims (*recommended*)
- Adhesive
- Caulking sealant

Thank you for purchasing Laurel Mountain Bathware. For best results, please read and follow all directions carefully.

PRE-INSTALLATION PLANNING

READ INSTRUCTIONS COMPLETELY
BEFORE BEGINNING INSTALLATION.

1. Do Not store units out of doors.- Keep out of sunlight and exposure to weather.
2. Review *Figures 7, 8, and 9* to make sure alcove is of proper size. If a fire rated alcove is required, approved finish material must be installed prior to unit installation. Access to drain and supply connections should be provided so that these connections may be made after the unit has been installed. Framing alcove must reflect interior dimensions on diagram to permit installation of unit. Note in diagram the required opening in the floor to provide clearance for the drain fitting and connection.
3. Placement of the two wood shims is recommended to provide bottom structural support of the base unit. See *Figure 1*

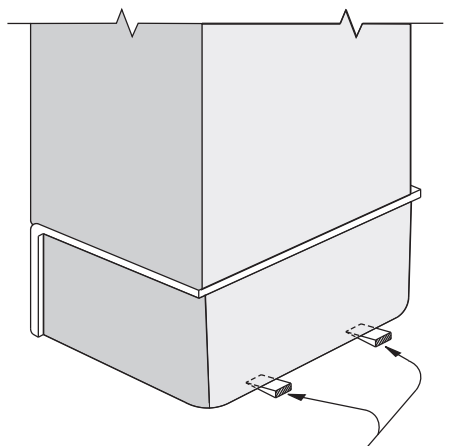


Figure 1 Wood Support Shims

INSTALLATION PROCEDURE

1. Remove wall section(s) from the base unit. Carefully move all parts into the installation area. Apply a bead of silicone to all joints. Reinstall wall sections. Align all parts, and connect using the alignment pins. Wipe away any excess caulk. The unit will be installed in the framed alcove as a one-piece unit. The unit must be installed completely level.

Alternate Connection: If installing piece by piece into the alcove, make sure that the pins are aligned correctly. When the caulking cures the parts are solidly held similar to the one piece when attached to the framing. See *Photo 1*. **The valve wall should be the first wall sections installed.**



2. Drain and/or Overflow assembly should be installed on unit according to the manufacturer's instructions. Apply a bead of 100% silicone caulk around the drain opening in unit before installing the fitting.

3. Locate supply lines for control valves and shower head. Measure and mark locations of fittings on the finished side of the unit. Recheck locations, and drill 1/4" pilot holes. Cut holes to final size using the appropriate size hole saw.

4. Apply wood wedges to the alcove floor. Carry unit to the opening. Align front of apron to final location and tilt unit into place. Make certain that the wood shims contact both the bathing unit and sub floor. Remove and adjust wedges if necessary to assure proper contact for support.



Standard Sectional Installation Instructions

Gelcoat & Solid Surface Bathware

It is recommended that these wedges are in place and in proper contact to assure structural integrity of the bathing unit.

5. Plumb and level the unit in two directions: Place a level on top of the apron, and along the finished flat area at the top of the wall. Once the unit is leveled, if any gap appears between the apron and sub floor fill the gap with solid material. When satisfied with the fit, attach the unit to framing with 6d galvanized nails or screws through the pre-drilled holes in the mounting flanges. If required, drill additional holes through the flanges in order to attach the unit to each stud.

6. Make connections to supply and drain lines. Strap all lines to the framing. Install finish trim. Caulk as necessary.

7. Check for leaks before installing wall-board and closing off plumbing access.

8. Finish wall board as detailed in *Figure 2*.

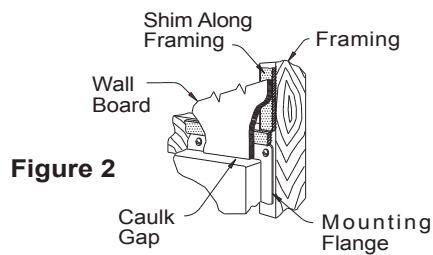


Figure 2

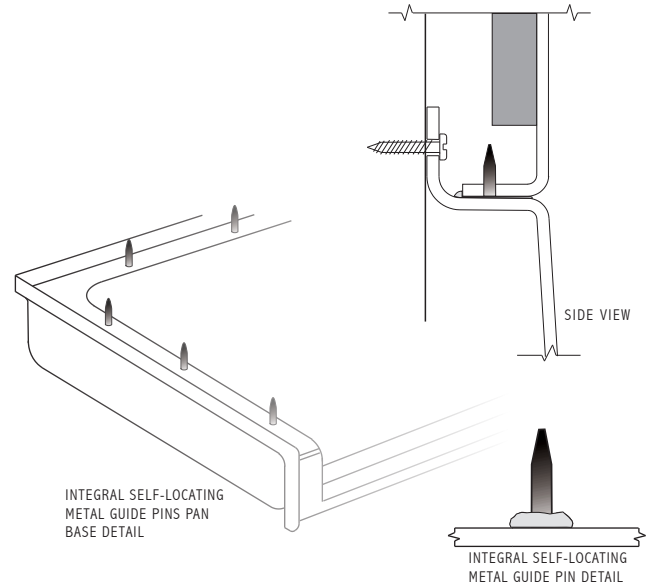
Sectional

bathing units are shipped from the factory with screws or nuts and bolts connecting the parts together.

If installing the unit fastened together in one piece, follow instructions on Page 1 of this manual.

The alignment pins should allow you to more easily install the unit in the framing alcove. Read and understand the instructions on this page since the alignment pins must be inserted in a specific direction.

1. Install drain and/or overflow assembly on unit following drain manufacturers instructions. Place support wedges under the back edge and secure. Place the base unit in the install location. Level the unit. A minimum of two shims should be used for proper support. (See *Figure 5*). Re-check level and attach base to framing studs with 6D galvanized screws.



2. Place a continuous bead of silicone on base between the edge of the base and the holes. For three and four piece units, apply silicone up the vertical seam(s) at the front or inside edge of the wall. Also around the pin alignment piece.

3. Place the walls on the top of the base aligning the holes with the pins. For three and four piece units, install the left wall first. Repeating the same for the right wall. Press all seams together to assure a tight fit. Wipe away any excess caulking. See *Figure 5*

4. For four piece units, install the back wall first. Install the left and right walls (Wet wall last). Press the seams together, to assure a tight fit. Wipe away any excess caulking before it cures.

5. Make sure all seams are even and in alignment with the base section. Fasten the wall assembly to the framing using 6D galvanized screws through the mounting flanges. Fasten every 8" O.C. along the vertical flanges and to each framing stud along the top, horizontally.

6. Make connections to supply and drain lines. Strap all lines to the framing. Install finish trim. Caulk as necessary.

7. Check for leaks before installing wall-board and closing off plumbing access.

8. Finish wall board as detailed in *Figure 6*.



Standard Sectional Installation Instructions

Gelcoat & Solid Surface Bathware

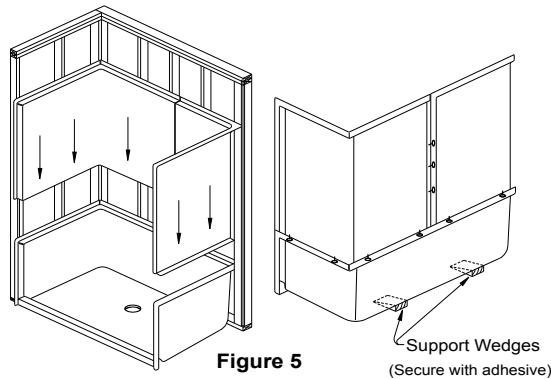


Figure 5

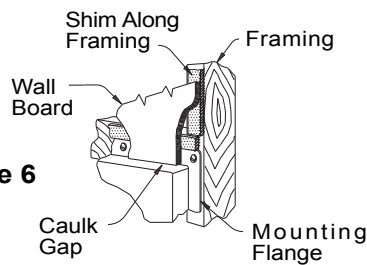


Figure 6

LIMITED WARRANTY

Laurel Mountain warrants to the owner of its Tub/Shower units as follows: Units manufactured of fiberglass reinforced polyester resin, that it will, free of charge, repair or exchange as its option, any Laurel Mountain unit found to be defective in materials or workmanship upon inspection by an authorized representative of Laurel Mountain for a period of three (3) years from date of purchase.

The exchange of a unit is limited to supplying a replacement unit of comparable size and style and does not include any costs of removal or installation.

This warranty shall be voided if the unit is moved from its place of initial installation or is not installed in accordance with the instructions supplied by the manufacturer of the unit. Further, this warranty does not apply if the unit has been subjected to accident, abuse, misuse, damage caused by flood, fire or act of God.

Since local code requirements vary greatly throughout the country, distributors, dealers, installation contractors and users of plumbing products should determine whether there are any code restrictions on the use of a specific product. Laurel Mountain makes no representation or warranty regarding and shall not be responsible for any code compliance.

The owner agrees by use of this unit that the obligations of Laurel Mountain shall not exceed to contingent or indirect damage or injury to the structure of its contents, that the obligations of Laurel Mountain are limited to those set forth herein, and that no other obligations, expressed or implied, are assumed by Laurel Mountain.

CAUTION

If you use a RUBBER FLOOR MAT in this tub or shower unit it must be removed after each usage. If left in the unit, it may cause blisters or damage to the surface finish.

DO NOT USE ABRASIVE CLEANERS

The most important caution is to avoid use of harsh abrasive cleaners or gritty scouring powders. To clean the unit, simply use a household liquid detergent with soft sponge cloth and warm water. More persistent stains, tar, or paint can be removed with naphtha or mineral spirits. Remove excess plaster by scraping with a sharpened soft wood stick. Avoid wire brushes, metal scrapers or tools. Restore dull areas by rubbing with automotive type body cleaning compound.

© 2014, Laurel Mountain



Standard Sectional Installation Instructions

Gelcoat & Solid Surface Bathware

FRAMING DIMENSIONS

Model No.	Old No.	Fig 5	Fig 7	Fig 6	A	B	C	D	E	F	G	H	I	J
G 3838 NA 2P	G 3838.51			X	79"	39-1/2"	39-1/2"	17-3/4"	17-3/4"	17-3/4"	N/A	N/A	48"	27"
G 6032 TS 2P	G 6030.74	X			73"	60-1/4"	31-7/8"	14-3/4"	2-5/8"	14-3/4"	75"	81"	19"	42-1/4"
G 3232 SH 2P	G 3232.50		X		74"	32-1/4"	33-1/2"	16-1/2"	16"	16-1/2"	76"	82"	48"	22"
G 3635 SH 2P	G 3635.53		X		74"	36-1/4"	36-1/2"	18"	18"	18"	76"	82"	48"	22"
G 4836 SH 2P 1S	G 4835.54		X		74"	48-1/4"	36-1/2"	18"	24"	18"	76"	82"	48"	22"
G 3260 TS 3P	N/A	X			74"	60-1/4"	32-3/4"	16"	N/A	16"	N/A	N/A	N/A	N/A
G 5494 TS 2P	N/A	X			74"	54-1/4"	27-1/2"	12-1/4"	N/A	12-1/4"	N/A	N/A	N/A	N/A
G 4887 SH 3P 1S	N/A		X		78"	48-1/4"	35-3/4"	18-1/4"	24"	18-1/4"	N/A	N/A	N/A	N/A
G 3636.53	6839		X		73"	36-1/4"	37-5/8"	16-1/8"	18"	16-1/8"	83-3/4"	83-3/4"	48"	22"
G 4834 3P 2S	G 4834.50		X		73"	48-1/4"	35-5/8"	16-3/8"	24"	16-3/8"	83-3/4"	83-3/4"	48"	22"
G 6030.75	6824/25	X			73"	60-1/4"	31-1/4"	14-1/2"	1-3/8"	14-1/2"	83-1/8"	83-1/8"	17-1/2"	43"
G 6036.71	6976/77	X			76"	60-1/4"	35-3/4"	15"	2"	15"	79"	82"	25-1/4"	38-1/4"
G 6036.72	6880/81	X			81"	60-1/4"	37"	17-1/2"	1-5/8"	17-1/2"	81-1/4"	81-1/4"	22"	42-1/2"
G 6017 TS 2P	N/A	X			81"	60-1/4"	37-3/4"	16"	N/A	16"	N/A	N/A	N/A	N/A
G 4887 SH 2P 1S	N/A		X		78"	48-1/4"	35-3/4"	18-1/4"	24"	18-1/4"	N/A	N/A	N/A	N/A
G 3679 SH 3P	N/A		X		78"	36-1/4"	37"	19"	18"	19"	N/A	N/A	N/A	N/A
G 3687 SH 2P	N/A		X		79"	36-1/4"	36-1/4"	17-1/2"	18"	17-1/2"	N/A	N/A	N/A	N/A
G 3275 SH 2P	N/A		X		77"	32"	34"	19-1/2"	16"	19-1/2"	N/A	N/A	N/A	N/A
G 4080 NA 2P	N/A			X	81"	41-1/4"	41-1/4"	19"	19"	19"	N/A	N/A	N/A	N/A



Standard Sectional Installation Instructions

Gelcoat & Solid Surface Bathware

